

Marvin Skylight and Awaken

Unit Features: Marvin Skylights.....	1
Unit Features: Awaken Skylights.....	2
Minimum and Maximum Guidelines	4
Standard Size Chart: Marvin Skylight.....	5
Standard Weight and Altitude Charts: Marvin Skylight.....	6
Standard Size Chart: Awaken Venting and Stationary Skylight	7
Certified Sizes and Ratings	8
Measurement Conversions: Marvin Skylight	9
Measurement Conversions: Awaken Venting and Stationary Awaken Skylight.....	10
Section Details: Marvin Skylight.....	11
Section Details: Awaken Venting and Stationary Skylight.....	13
Section Details: Awaken Venting Skylight.....	14

Unit Features: Marvin Skylights

Marvin Skylight: SKLT

Frame:

- Fiberglass and polymer reinforced extruded frame
 - Available exterior colors: Ebony, Gunmetal
 - Available interior color: White

Glass and Glazing:

- 7/8" insulating glass with gas fill and thermal edge spacer bar technology
- Tempered exterior pane and an annealed laminated interior pane
- Glazing seal: Black silicone beading, exterior
- Black Stainless Steel Spacer Bar
- Glass Coatings: Low E3
- Gas fill: Argon

Installation:

- The unit features a reversible mounting flange, allowing for a deck or curb mount installation.
 - An optional flashing kit is available for shingle, metal roof coverings.
- 14 degree minimal angle of installation.
- Maximum angle of 85 degrees of installation.
- Skylights cannot be physically connected or mulled.

Unit Features: Awaken Skylights

Marvin Awaken Venting Skylight: SKLTAWKV

Marvin Awaken Stationary Skylight: SKLTAWKSTAT

Frame and Sash:

- Fiberglass reinforced pultrusion exterior sash
 - Available exterior colors: Ebony, Gunmetal.
- Fiberglass reinforced pultrusion interior with fiberglass and polymer reinforced frame covers
 - Available interior color: White
- Indoor air quality sensor measures interior temperature, humidity, and air quality

Hardware (Awaken Venting Skylight only):

- Hinges
 - Stainless Steel, 4 bar parallel hinges are installed on each jamb (2x) and sill (1x)
 - Hinges open to 3 3/4", controlled by hard stop on each hinge
- Venting Motor
 - Two chain drive motors are installed in the jambs
 - The motors lock the sash closes or open when not in operation
 - Each motor operates at 24VDC
- Manual operation is not available

Glass and Glazing:

- 7/8" insulating glass with gas fill and thermal edge spacer bar technology
- Tempered exterior pane and an annealed laminated interior pane
- Glazing seal: Black silicone beading, exterior
- Black Stainless-Steel Spacer Bar
- Glass coatings: Low E3
- Gas fill: Argon

Electric Ratings (specific to units with venting, LEDs or shades):

- Input voltage: 120VAC +/- 10%, 1A max
- Output voltage: 24 VDC, 4A max
- UL Certified

Installation:

- The unit features a reversible mounting flange, allowing for a deck or curb mount installation.
 - An optional flashing kit is available for shingle, metal roof coverings
- 14 degree minimal angle of installation.
- Maximum of 85 degrees for installation.
- Skylights cannot be physically connected or mulled.

Weather Strip:

- All weather strip is black.
- Bulb weather strip on all four sides between frame and sash, attached to frame.
- A closed-cell TPV foam-wrapped weather strip compresses between the frame and the glass.

Unit Features: Awaken Skylights (continued)**LED Lighting (optional):**

- LED located on the header and sill and span the entire width
- CRI: 90+
- Tunable color temperature from 2200K - 5500K
- Brightness controlled by wall switch or Marvin app, color temperate controlled by Marvin app only.

Interior Shade (optional):

- Optional roller shade is attached to the interior of the frame
- Shade deploys from the header
- Available in room darkening or light filtering, white in color
- Shade cartridge is 2 3/4" into the jamb and 3 3/4" into the header and sill
- Controlled by wall switch or Marvin app

Screen (optional):

- A pleated screen makes a continuous hoop between the sash and the frame and is minimally visible from the interior or exterior when the unit is open
- The screen does not impede upon the daylight opening (DLO) of the unit
- The screen is barbed into the sash and frame using a PVC clasp and ribbed barb
- Screen material is 100% Polyester, 76 Decitex
- Mesh Density of the screen is 18 x 18 per inch
- Controlled by wall switch or Marvin app

Minimum and Maximum Guidelines

- Dimensions below refer to Frame Overall (Basic Frame) Dimension (see figure on page 8).

Marvin Skylight

Minimum Width		Minimum Height		Maximum Width		Maximum Height	
in	mm	in	mm	in	mm	in	mm
18.66	(474)	38.66	(982)	50.66	(1287)	92.66	(2354)

Skylight Awaken Venting

Minimum Width		Minimum Height		Maximum Width		Maximum Height	
in	mm	in	mm	in	mm	in	mm
18.3	(465)	38.3	(973)	50.3	(1278)	92.3	(2344)

Skylight Awaken Stationary

Minimum Width		Minimum Height		Maximum Width		Maximum Height	
in	mm	in	mm	in	mm	in	mm
18.3	(465)	38.3	(973)	50.3	(1278)	92.3	(2344)

NOTE: Custom Sizes not available.

Refer to standard size charts on the following pages for specific size availability.

Standard Size Chart: Marvin Skylight

Skylight	Frame Size Width		RO Width		Daylight Opening Width		Glass Size Width	
	ft-in	mm	ft-in	mm	ft-in	mm	ft-in	mm
16	1-6 21/32	(474)	1-2 1/2	(368)	1-0 13/16	(325)	1-4 57/64	(429)
24	2-2 21/32	(677)	1-10 1/2	(572)	1-8 13/16	(529)	2-0 57/64	(632)
32	2-10 21/32	(880)	2-6 1/2	(775)	2-4 13/16	(732)	2-8 57/64	(835)
48	4-2 21/32	(1287)	3-10 1/2	(1181)	3-8 13/16	(1138)	4-0 57/64	(1242)

Skylight	Frame Size Height		RO Height		Daylight Opening Height		Glass Size Height	
	ft-in	mm	ft-in	mm	ft-in	mm	ft-in	mm
36	3-2 21/32	(982)	2-10 1/2	(876)	2-8 13/16	(833)	3-0 57/64	(937)
48	4-2 21/32	(1287)	3-10 1/2	(1181)	3-8 13/16	(1138)	4-0 57/64	(1242)
60	5-2 21/32	(1592)	4-10 1/2	(1486)	4-8 13/16	(1443)	5-0 57/64	(1547)
90	7-8 21/32	(2354)	7-4 1/2	(2248)	7-2 13/16	(2205)	7-6 57/64	(2309)

Refer to standard size charts for specific size availability.

Available Sizes

Available configurations				
CN	36	48	60	90
16	x	x	x	x
24	x	x	x	x
32	x	x	x	x
48	x	x	x	x

Standard Weight and Altitude Charts: Marvin Skylight

Call Number	Marvin Skylight		Awaken Stationary Skylight		Awaken Venting Skylight	
	Lbs	Kg	Lbs	Kg	Lbs	Kg
1636	30	13.6	50	22.6	60	27.2
1648	40	18.1	60	27.2	70	31.7
1660	46	20.8	70	31.7	80	36.2
1690	75	34.0	110	49.8	120	54.4
2436	40	18.1	60	27.2	70	31.7
2448	55	24.9	75	34.0	85	38.5
2460	65	29.4	90	40.8	100	45.3
2490	105	47.6	140	63.5	150	68
3236	50	22.6	75	34.0	85	38.5
3248	65	29.4	90	40.8	100	45.3
3260	80	36.2	110	49.8	120	54.4
3290	130	58.9	170	77.1		
4836	80	36.2	105	47.6	115	52.1
4848	105	47.6	140	63.5	145	65.7
4860	130	58.9	165	74.8		
4890	190	86.1	230	104.3		

Awaken Features Weight	Lbs	Kg
Control and power	2	0.9
Motorization	7	3.1
Lights (max width)	4	1.8
Shades (max size)	24	10.8

Altitude Chart

Altitude Chart for Call Number Sizes				
CN Height	CN Width			
	16	24	32	48
36	3.1/11.5/6.0L	3.1/11.5/6.0L	3.1/11.5/6.0L	3.9/9.8/6.0L
	8700	10000	10000	10000
48	3.1/11.5/6.0L	3.1/11.5/6.0L	3.1/11.5/6.0L	4.7/9.8/6.0L
	9400	10000	10000	10000
60	3.1/11.5/6.0L	3.1/11.5/6.0L	3.1/11.5/6.0L	4.7/9.8/6.0L
	10000	10000	10000	10000
90	3.9/9.8/6.0L	3.9/9.8/6.0L	4.7/9.8/6.0L	4.7/9.8/6.0L
	10000	10000	10000	10000

NOTE: Capillary tubes are not available on skylights. IGs with argon gas fill are rated for the altitudes above.

Standard Size Chart: Awaken Venting and Stationary Skylight

Skylight Awaken

Awaken Call Number Widths	Frame Size Width		RO Width		Daylight Opening Width		Glass Size Width	
	ft-in	mm	ft-in	mm	ft-in	mm	ft-in	mm
16	1-6 19/64	(465)	1-2 1/2	(368)	1-0 39/64	(320)	1-4 57/64	(429)
24	2-2 19/64	(668)	1-10 1/2	(572)	1-8 39/64	(524)	2-0 57/64	(632)
32	2-10 19/64	(871)	2-6 1/2	(775)	2-4 39/64	(727)	2-8 57/64	(835)
48	4-2 19/64	(1278)	3-10 1/2	(1181)	3-8 39/64	(1133)	4-0 57/64	(1242)

Awaken Call Number Heights	Frame Size Height		RO Height		Daylight Opening Height		Glass Size Height	
	ft-in	mm	ft-in	mm	ft-in	mm	ft-in	mm
36	3-2 19/64	(973)	2-10 1/2	(876)	2-8 39/64	(828)	3-0 57/64	(937)
48	4-2 19/64	(1278)	3-10 1/2	(1181)	3-8 39/64	(1133)	4-0 57/64	(1242)
60	5-2 19/64	(1582)	4-10 1/2	(1486)	4-8 39/64	(1438)	5-0 57/64	(1547)
90	7-8 19/64	(2344)	7-4 1/2	(2248)	7-2 39/64	(2200)	7-6 57/64	(2309)

Maximum glass size is 16 square feet for Venting units. Refer to standard size charts below for specific size availability.

Available Sizes

Available configurations				
CN	36	48	60	90
16	x	x	x	x
24	x	x	x	x
32	x	x	x	
48	x	x		

NOTE: Sizes in gray only available as Stationary.

Certified Sizes and Ratings

Product	Air Tested to 1.57 psf	Water Tested to psf	Design Pressure (DP)	Structural Overload Tested to (psf)	WDMA Certification Rating	Max CN Width	Max CN Height
Marvin Skylight	0.01	7.5	50	+100/-75	PG50	48	90
Marvin Awaken Stationary Skylight	0.02	7.5	50	+100/-75	PG50	48	90
Marvin Awaken Venting Skylight	0.02	6	40	+80/-60	PG40	23	90
Marvin Awaken Venting Skylight	0.07	6	40	+80/-60	PG40	32	60
Marvin Awaken Venting Skylight	0.04	4.6	30	+60/-45	PG30	48	48

Measurement Conversions: Marvin Skylight

Marvin Skylight					
From	To	Total Width		Total Height	
Rough Opening		in	mm	in	mm
Call Number	Rough Opening	-1.5	-(38)	-1.5	-(38)
OM of Frame	Rough Opening	-4.156	-(106)	-4.156	-(106)
Glass Size	Rough Opening	-2.25	-(57)	-2.25	-(57)
Daylight Opening	Rough Opening	1.69	(43)	1.69	(43)

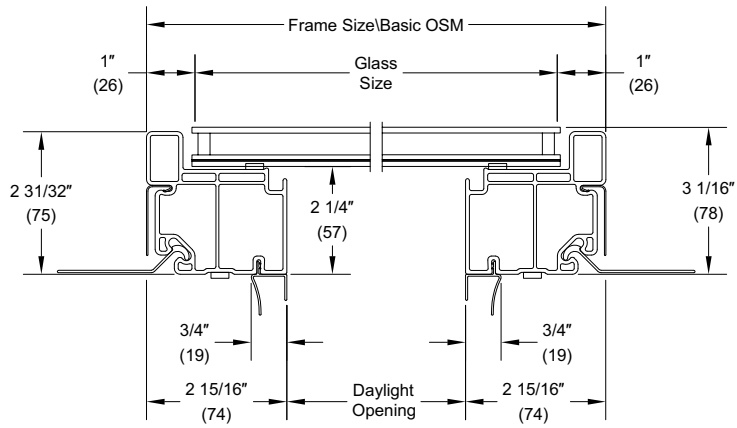
Measurement Conversions: Awaken Venting and Stationary Awaken Skylight

Awaken Skylights					
From	To	Total Width		Total Height	
Rough Opening		in	mm	in	mm
Call Number	Rough Opening	-1.5	-(38)	-1.5	-(38)
OM of Frame	Rough Opening	-3.796	-(96)	-3.796	-(96)
OM of Sash	Rough Opening	-4.281	-(109)	-4.281	-(109)
Glass Size	Rough Opening	-2.25	-(57)	-2.25	-(57)
Daylight Opening	Rough Opening	1.89	(48)	1.89	(48)

Section Details: Marvin Skylight

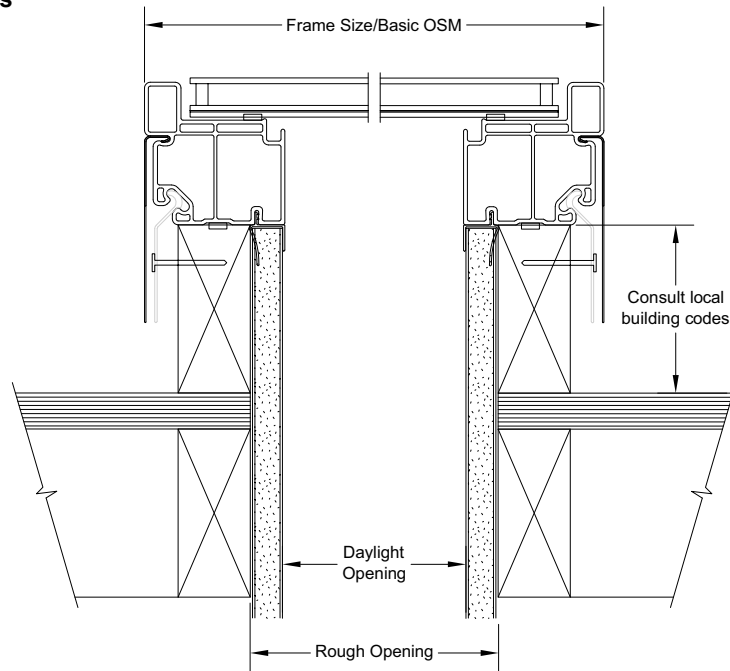
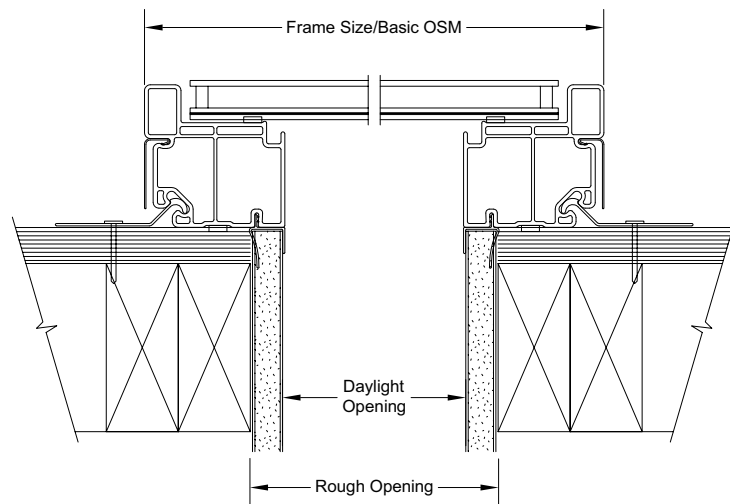
Scale: 3' = 1' 0"

Insulating Glass



Section Details: Marvin Skylight

Scale: 3' = 1' 0"

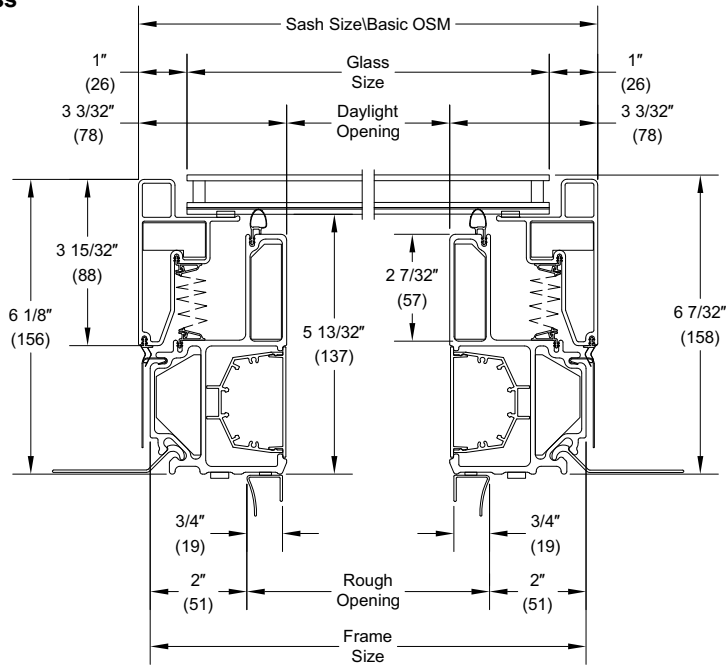
Insulating Glass**Curb Mount Installation****Deck Mount Installation**

*NOTE: Work with your local building code to verify methods based on pitch/etc.
14 degree minimum angle of installation. 85 degree maximum angle.
Optional flashing system not shown*

Section Details: Awaken Venting and Stationary Skylight

Scale: 3' = 1' 0"

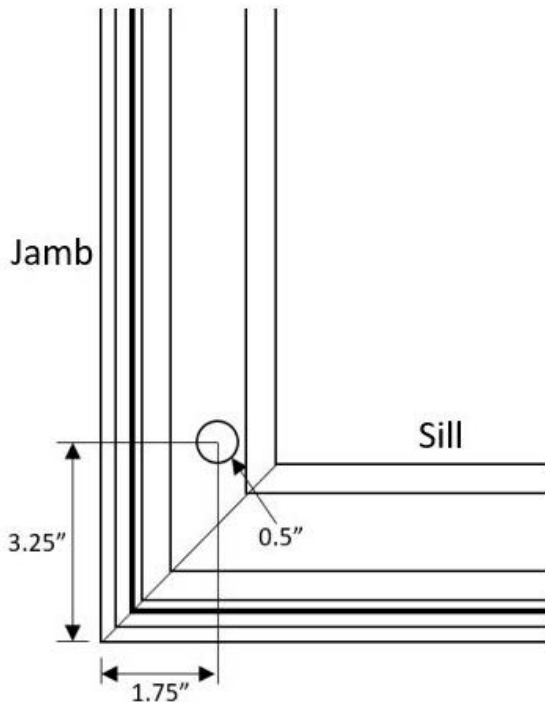
Insulating Glass



NOTE: Sash is larger than the frame with the Skylight

NOTE: Venting unit shown. Screen not applicable to stationary unit.

Awaken Electrical Egress

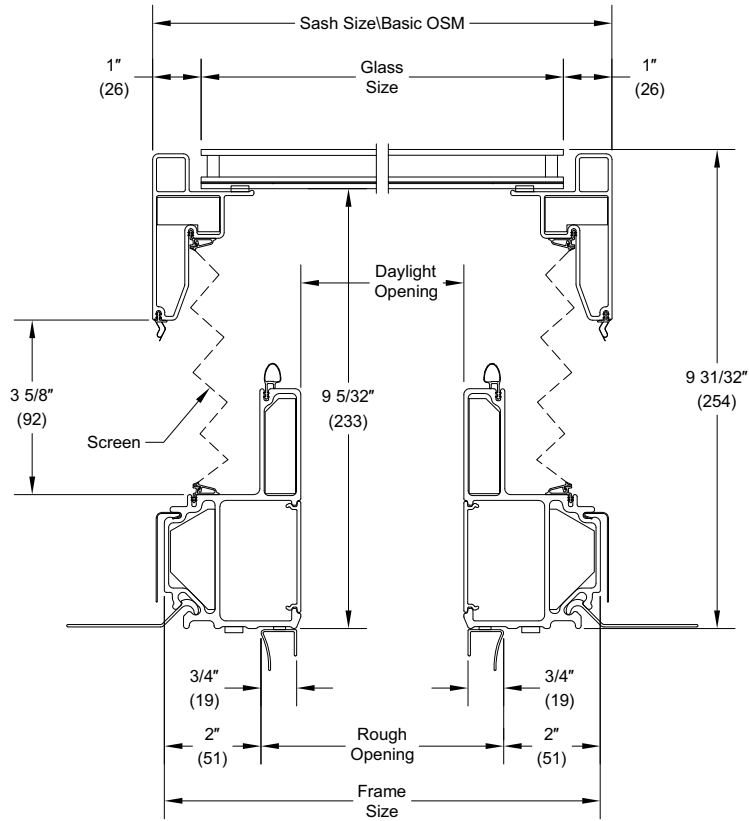


As viewed from the interior

Section Details: Awaken Venting Skylight

Scale: 3' = 1' 0"

Insulating Glass

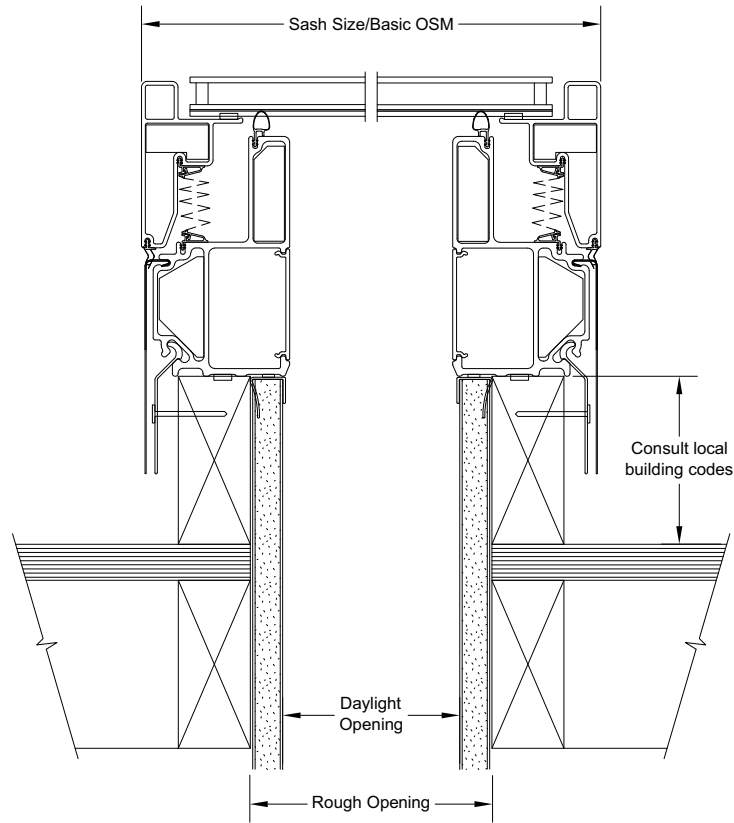


NOTE: Sash is larger than the frame with the Skylight

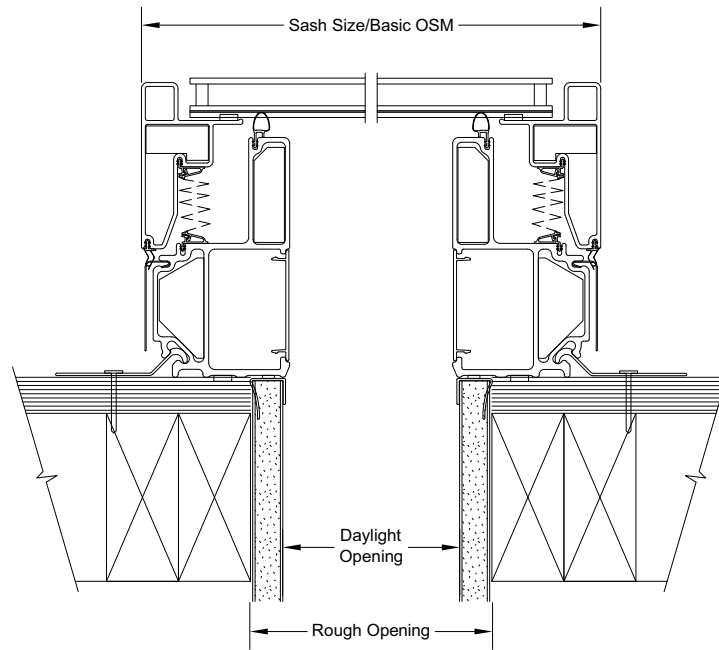
Section Details: Awaken Venting and Stationary Skylight

Scale: 3' = 1' 0"

Insulating Glass



Curb Mount Installation



Deck Mount Installation

*NOTE: Venting unit shown. Screen not applicable to stationary unit.
 Optional flashing system not shown.
 14 degree minimal angle of installation. 85 degree maximum angle.*